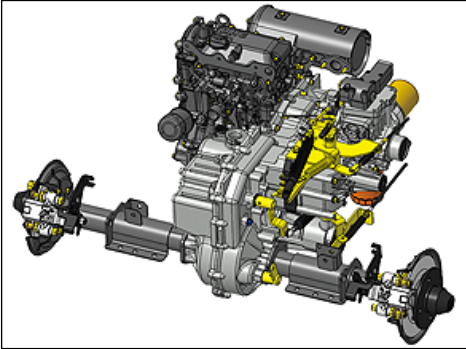


RTV

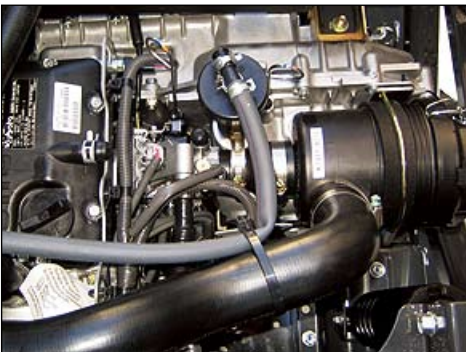
RTV500

FEATURES



Kubota Liquid-cooled EFI Petrol Engine

The RTV500's new 15.8-horsepower, 2-cylinder Kubota petrol engine is liquid-cooled to ensure reliability and minimise noise and vibration, reducing operator fatigue and increasing efficiency. The engine features an Electronic Fuel Injection (EFI) system that provides on-demand power, optimises acceleration and enhances quiet operability. Plus, the EFI eliminates the need to adjust the carburetor—enabling better engine start-up in cold weather or after long-term storage, and improving engine serviceability.



New Variable Hydro Transmission (VHT PLUS)

Kubota's exclusive and innovative hydrostatic transmission eliminates the need to adjust belt drives and provides the RTV500 with an exceptional level of performance, handling, and reliability under tough conditions. Ride the hills with quick acceleration and smooth, engine-assisted deceleration. In addition, the VHT PLUS offers outstanding traction and impressive power, providing the muscle to take you almost anywhere.



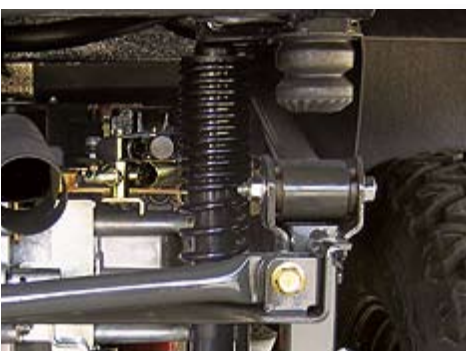
Comfortable Operator Area

Get in and get going. The RTV500 features ergonomic, well-placed controls for easy operation, and a comfortable seat, so both the driver and passenger can enjoy a full day of work or play without fatigue. The low operator platform offers ample and obstacle-free legroom, so it's simple to step on or off.



Designed for Convenient Transportation

Kubota specifically designed the RTV500's compact frame to make it easy to load onto a full-size pickup truck or trailer, so you can take it wherever you go. It's ideal for camping, hunting, or any rugged outdoor adventure.



Smooth, Reliable Semi-independent Rear Suspension

RTV

RTV500

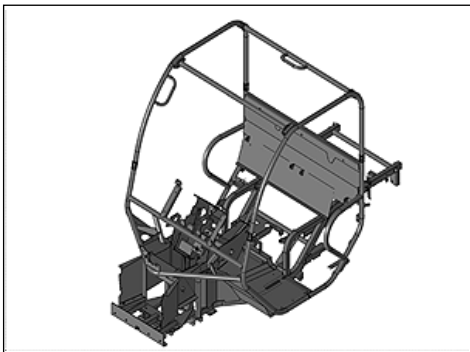
Kubota

FEATURES



Dumping cargo bed

Use the RTV500's cargo bed to haul up to 441lbs of dirt, gravel, rocks, hay or whatever will fit. The bed also manually tilts up to make dumping or unloading your cargo easy.



Standard Frame-integrated ROPS

Meets OSHA 1928.53 Rollover Protection Standards.



Front Guard (Optional)